

Roller Blind

## Ti-1029S

One Touch Spring



- Operation is just a touch or pull.
- The blinds are child safe without ball chain.
- Speed Adjustment is possible.
- Blinds up to 2000 mm (79") width and 3000 mm (118") height with 2.7 kg (6.0 lb) screen weight are possible.

Ti-1029S

■ Set Bar Type

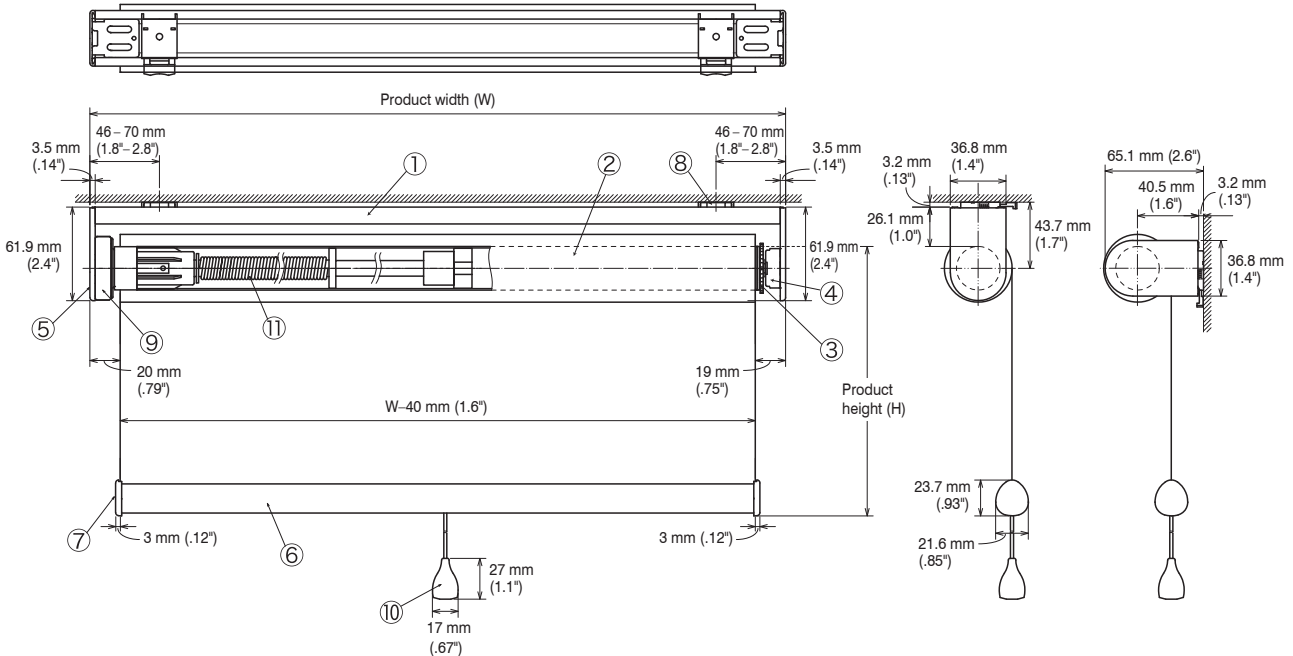


- No irritation to stop the blind. The mechanism assures you to stop the blind anywhere as you want.
- With Set Bar type, installation is very simple. Mounting the brackets first and then snap the blind onto the brackets.

Structure Drawing—Ti-1029S

Product View

■ Set Bar Type



Components and Materials

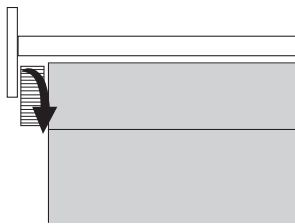
No.	Components	Material	No.	Components	Material
①	Set Bar	Aluminum	⑦	MT03 Weight Bar Cap	Molded resin
②	Roller Pipe	Aluminum	⑧	Bracket	Steel, Molded resin
③	Pipe End	Steel, Molded resin	⑨	Spring Side Holder	Steel, Molded resin
④	End Side Holder	Steel, Molded resin	⑩	Pull Set	Molded resin
⑤	Side Holder Cover	Molded resin	⑪	Spring Set	Steel, Molded resin
⑥	Weight Bar	Molded resin			

## Speed adjustment dial for Ti-1029S

- The speed adjustment dial, which is provided as standard equipment, makes it possible to adjust how fast the screen rises, without using any tools and without detaching the roller blind.

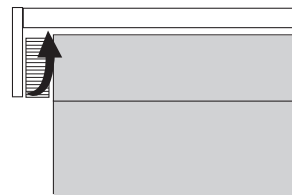
### How to use the speed adjustment dial

- To make the screen rise more quickly



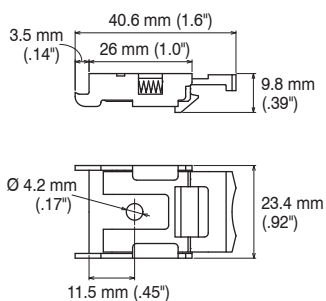
Stop the screen at the halfway up (or down) position and turn the dial as if rolling it toward you.

- To make the screen rise more slowly



Stop the screen at the halfway up (or down) position and turn the dial as if rolling it away from you.

### Bracket

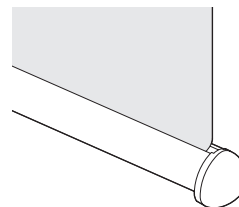


\*Set Bar type only.

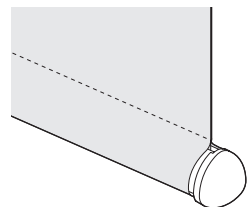
Product Width	Number of Bracket
1300 mm (51") or less	2
1305 mm (51") or more	3

### Weight Bar

Non wrapping type



Wrapping type



### Specifications

		Side Bracket Type	Set Bar Type
Maximum Screen Weight		2.7 kg (6.0 lb)	
Product Weight		1.8 kg (4.0 lb)	2.2 kg (4.9 lb)
(Width: 2000 mm/79" without screen) Ex.: Ball Chain length is 3000 mm (118")			
Allowable Size	Product Width (W)	300 mm (11.8") to 2000 mm (78.7")	
	Product Height (H)	300 mm (11.8") to 3000 mm (118")	
	Ratio (W : H)	1 : 3 (limit)	

Notes: Regarding allowable size (W, H, Ratio), depending on material and weight, the screen may get wrinkled, curled or frayed.

Allowable screen size is different according to the screen material.